

Telemetry Shackle Pin

High strength marine shackle pin



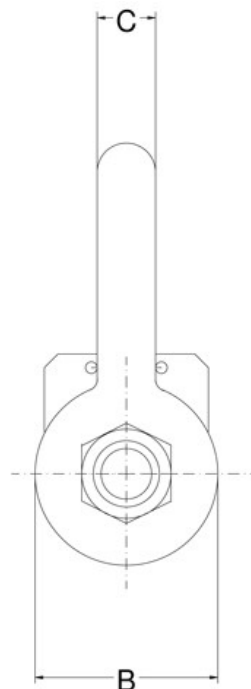
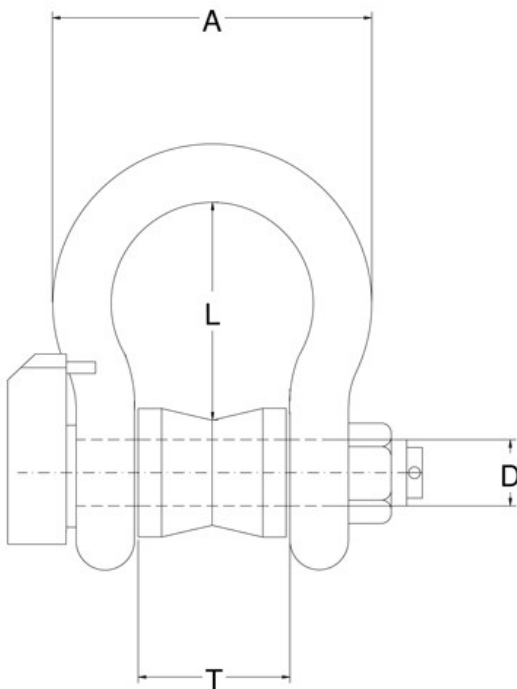
- Range 6.5te to 500te
- Sealed to IP66
- Range up to 200m
- 255 address settings
- Auto power down
- Robust Construction

| | | |
|---------------------------|--------------|---------------|
| Capacities | 6.5 to 500 | tonne |
| Full Load Output | 2.0 nom. | mV/V |
| Zero Load Output | <±2 | % |
| Excitation (Max) | 7.2 | V |
| Accuracy | <0.5 | % |
| Repeatability | <0.10 | % |
| Input Resistance | 745 | Ω |
| Output Resistance | 700 | Ω |
| Compensated Temp. Range | -10 to +40 | °C |
| Operating Temp. Range | -20 to +60 | °C |
| Temp. Coefficient on Zero | <0.005 | % Capacity/°C |
| Temp Coefficient on Span | <0.003 | % Capacity/°C |
| Safe Overload | 150 | % |
| Insulation | >500 @100Vdc | MΩ |
| Environmental Protection | IP66 | |
| Battery Life | 150 | hours |

| Capacity (te) | A | B | C | D | L | T |
|---------------|-----|-----|-----|------|-----|-----|
| 6.5 | 100 | 54 | 22 | 25.4 | 84 | 38 |
| 12 | 146 | 76 | 32 | 35 | 119 | 50 |
| 25 | 171 | 106 | 45 | 50 | 146 | 73 |
| 35 | 197 | 127 | 51 | 57 | 187 | 83 |
| 55 | 311 | 142 | 68 | 70 | 267 | 105 |
| 120 | 420 | 203 | 92 | 95 | 350 | 130 |
| 150 | 460 | 229 | 100 | 108 | 371 | 140 |
| 250 | 625 | 305 | 115 | 127 | 508 | 215 |

All dimensions in mm

Specifications subject to change without notice



Options :

Other ranges available on request
Crosby or Green pin

Elite Transducers Ltd

5&6 Zephyr House, Calleva Park, Aldermaston, Reading, RG7 8JN

Tel: (+44) 0118 9811750 Fax: (+44) 0118 9811751

E-mail: info@elitetransducers.co.uk