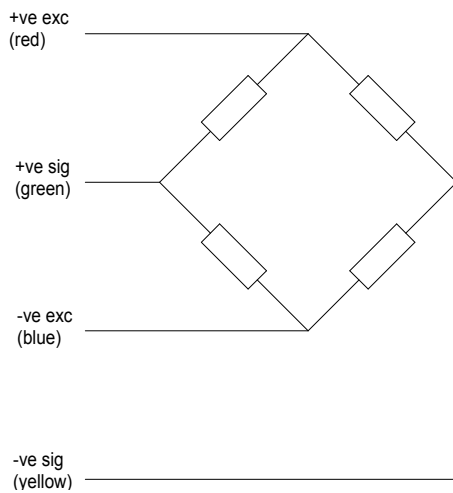


Chassis Mount Cell



- Low height
- Sealed to IP68
- Stainless load cell
- High accuracy



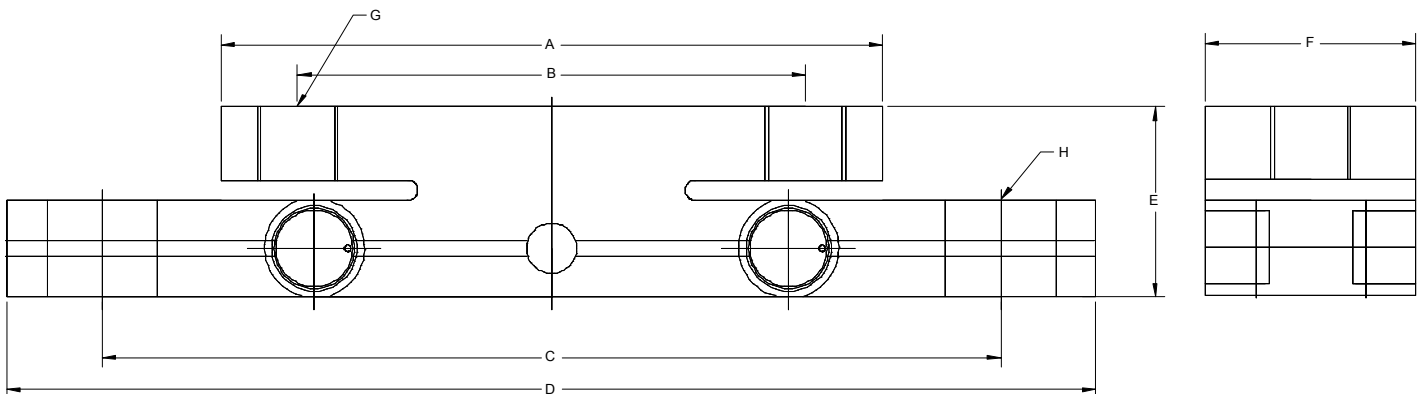
Capacities	10	tonne
Full Load Output	1.2 ($\pm 0.25\%$)	mV/V
Zero Load Output	$< \pm 2.0$	%
Excitation (Max)	10 (15)	V
Accuracy	< 0.05	%
Repeatability	< 0.01	%
Input Resistance	750 (± 20)	Ω
Output Resistance	700 (± 2)	Ω
Compensated Temp. Range	-10 to +50	$^{\circ}\text{C}$
Operating Temp. Range	-20 to +70	$^{\circ}\text{C}$
Temp. Coefficient on Zero	< 0.005	% Capacity/ $^{\circ}\text{C}$
Temp Coefficient on Span	< 0.005	% Capacity/ $^{\circ}\text{C}$
Safe Overload	150	%
Insulation	$> 500 @ 100\text{Vdc}$	M Ω
Environmental Protection	IP68	

Specifications subject to change without notice

Capacity	A	B	C	D	E	F	G	$\text{\O}H$
10t	198	152	269	326	57	63	M24	33

All dimensions in mm

Options :
Alternative capacities available on request. Please enquire for details.



Elite Transducers Ltd

5&6 Zephyr House, Calleva Park, Aldermaston, Reading, RG7 8JN
Tel: (+44) 0118 9811750 Fax: (+44) 0118 9811751
E-mail: info@elitetransducers.co.uk

DELB
ATEX / IECEx Approved to
Ex ia IIC T6
Ex tD A20 IP68 T85C

